



Porsche Endurance Trophy Benelux

Technical Regulations 2019

Bulletin 1

Visa RACB : T01-BELCAR-PETB/B19-Add1 (05/08/2019)

Changes made as follows:

- Deletions are printed in '**Bold**', '*Italics*' and crossed out (~~word~~).
- Additions are printed in '**Bold**' and '*Italics*'.

Alteration 1:

...

B.1.1.: Specific Technical Regulations according to model year Porsche 911 GT3 Cup, Type 991, Gen II ('17 – '19)

...

41. Wheel suspension

41.1. General description front axle

...Two different trailing arms are available for the front axle. Both versions with part numbers 991.341.043.04 (upper) 991.341.043.03 (bottom) respectively can be used.



Alteration 2:

...

B.1.2.: Specific Technical Regulations according to model year Porsche 911 GT3 Cup, Type 991, Gen I ('13 – '16)

...

60. Wheel suspension

60.1. General description front axle

...Two different trailing arms are available for the front axle. Both versions with part numbers 991.341.043.04 (upper) 991.341.043.03 (bottom) respectively can be used.



Alteration 3:

...

B.1.1.: Specific Technical Regulations according to model year Porsche 911 GT3 Cup, Type 991, Gen II ('17 – '19)

...

39.Brakes

Front axle:

...The spoilers on the front wishbones can be secured using two additional cable ties. As shown in the image below, 4 holes must be drilled in the wishbone spoiler and the cables ties fitted through these holes around the wishbone.



Alteration 4:

...

B.1.2.: Specific Technical Regulations according to model year Porsche 911 GT3 Cup, Type 991, Gen I ('13 – '16)

...

58. Brakes

Front axle:

...The spoilers on the front wishbones can be secured using two additional cable ties. As shown in the image below, 4 holes must be drilled in the wishbone spoiler and the cables ties fitted through these holes around the wishbone.



Alteration 5:

...

B.1.1.: Specific Technical Regulations according to model year Porsche 911 GT3 Cup, Type 991, Gen II ('17 – '19)

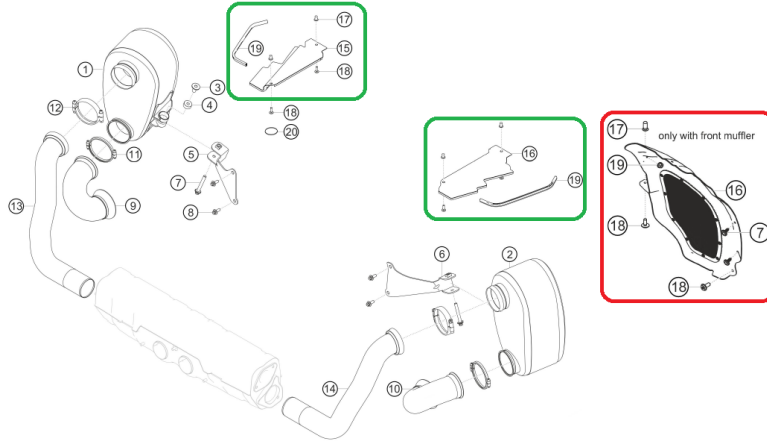
...

37. Exhaust system

Only the Porsche original race exhaust is allowed. During some events the additional side mufflers could be mandatory.

Remark: The “exhaust system without silencer”, general linguistic usage as “Supercup exhaust system” can be used, only if it does not exceed the imposed noise limits valid for the concerning event.

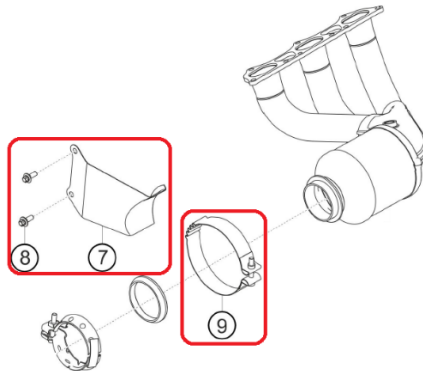
Remark: It is ~~strictly forbidden~~ **allowed** to drive with the wheel arches (red) when the pre-silencers are not installed. ...



...The bracket (7) for the exhaust manifold, the corresponding bolts (8) and the clamp (9) are no longer required to fasten the exhaust manifold to the engine. These components must be removed. Due to manufacturing reasons, new engines will continue to be supplied with the bracket.

Parts to be removed:

- **9A11115479C / 9A11115489C EXHAUST MANIFOLD BRACKET**
- **90038500102 TORX SCREW BM 8X20**
- **9A11131319A CLAMP**



Alteration 6:

Part A.: Porsche Endurance Trophy Benelux - General Technical Regulations

...

15. Tyres

...

Porsche 911, GT3 cup cars:

Only the following tyre types are allowed ~~during Free Practices:~~

Slick Tyre: Michelin Porsche Cup N2

 Michelin Pilot Sport GT S9M

 Michelin Pilot Sport GT S9L

Rain Tyre: Michelin Pilot Sport GT P2L

~~Only the following tyre types are allowed during Qualifying sessions and Races:~~

~~Slick Tyre: Michelin Pilot Sport GT S9M~~

~~Rain Tyre: Michelin Pilot Sport GT P2L~~

...

Alteration 7:

Part A.: Porsche Endurance Trophy Benelux - General Technical Regulations

...

18. Data, Radio transfer and other radio-based or electronic devices

...Only valid during the event of the Eleven Sports 24 H of Zolder, for all Porsche vehicles, additional light can be mounted, a light kit system from MR is highly recommended. ...

Alteration 8:

Part A.: Porsche Endurance Trophy Benelux - General Technical Regulations

...

17. Drinking & driver cooling system & ventilation

...For all Porsche vehicles, only during the Eleven Sports 24 H of Zolder, additional ventilation may be created in the drivers' side door window. A fan cannot be used. ...

Alteration 9:

Part A.: Porsche Endurance Trophy Benelux - General Technical Regulations

...

19. Fuel

...

Fuel tank capacity

Maximum fuel tank capacity:

Porsche 911: 105l

718 Cayman GT4 CS type 982: 120l

Cayman GT4 CS, type 981: 105l

Alteration 10:

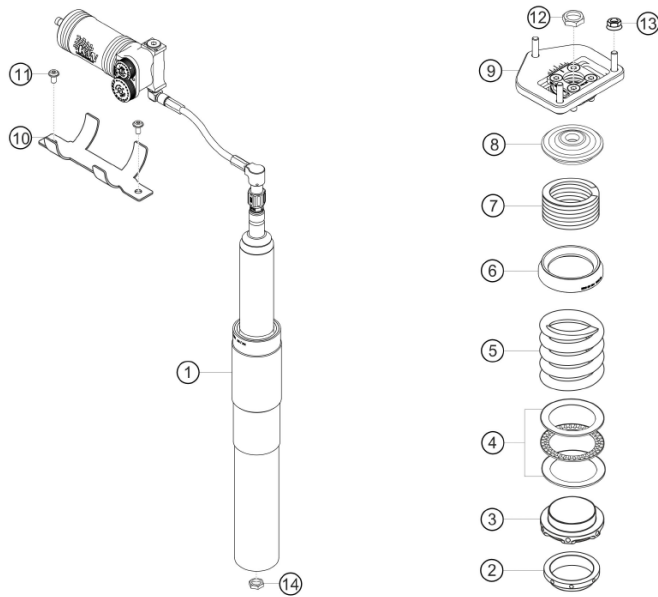
...
Part C.: "CAYMAN CLUBSPORT TROPHY" Tech. Regulations

...
C.1.0.: Specific Tech Regulations according to model year Porsche 718 Cayman GT4 Clubsport, Type 982, ('19)

...
130.6. Shock absorbers/springs

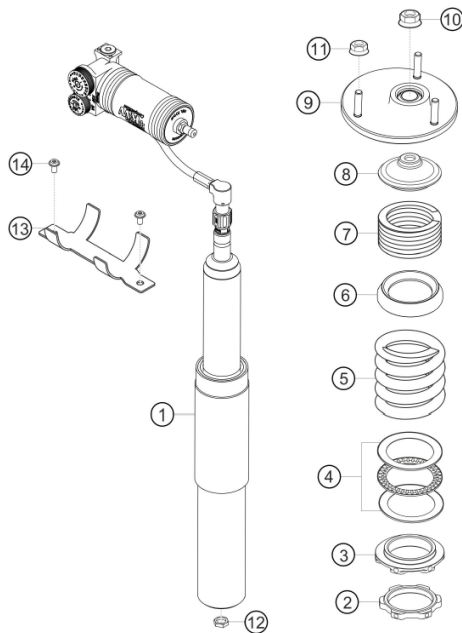
...
Only valid during the event 'Eleven Sports 24 Hours of Zolder': additionally it is allowed to use the 3-way shock absorbers from Porsche Motorsport, as shown underneath.

4.5 suspension strut front competition



Part No.	Description	M	Pc.	Material
1	SOSPENSION STRUT FA LEFT COMPETITION	X	1	9F2412023A
1	SOSPENSION STRUT FA RIGHT COMPETITION	X	1	9F2412024A
2	SECURING PART	X	1	9F2412153
3	SPRING SEAT,LWR	X	1	9F2412103
4	AXIAL BEARING	X	1	9913435517A
5	HELICAL SPRING FA	X	1	9F2411105A
6	INTERMEDIATE RING	X	1	9F2409423
7	AUXILIARY SPRING	X	1	9813435378A
8	SPRING PLATE,UPR	X	1	9F2412149
9	SUPPORT BEARING FA	X	1	9F2412327
10	HOLDER PANEL	X	1	9913337817A
11	SCREW FILL. HD. M6X8 8.8 26D1		2	99907325909
12	NUT M18X1,5	X	1	9913435557A
13	SCREW NUT M8		3	PAF003923
14	NUT M14X1	X	1	9913435537A

5.6 suspension strut rear competition



Part No.	Description	M	Pc.	Material
1	Z DAMPER STRUT RA	X	1	9F2512020A
2	SECURING PART	X	1	9F2412153
3	SPRING SEAT,LWR	X	1	9F2412103
4	AXIAL BEARING	X	1	9913435517A
5	HELICAL SPRING RA	X	1	9F2511121A
6	INTERMEDIATE RING	X	1	9F2409423A
7	AUXILIARY SPRING	X	1	9813435378A
8	SPRING PLATE,UPR	X	1	9F2512149
9	Z SUPPORT BEARING RA	X	1	9F2512351A
10	SECURING PART	X	1	9F2501395
11	SCREW NUT M8		3	PAF003923
12	NUT M14X1	X	1	9913435537A
13	HOLDER PANEL	X	1	9913337817A
14	SCREW FILL. HD. M5X12 8.8 S627		2	999073268A2